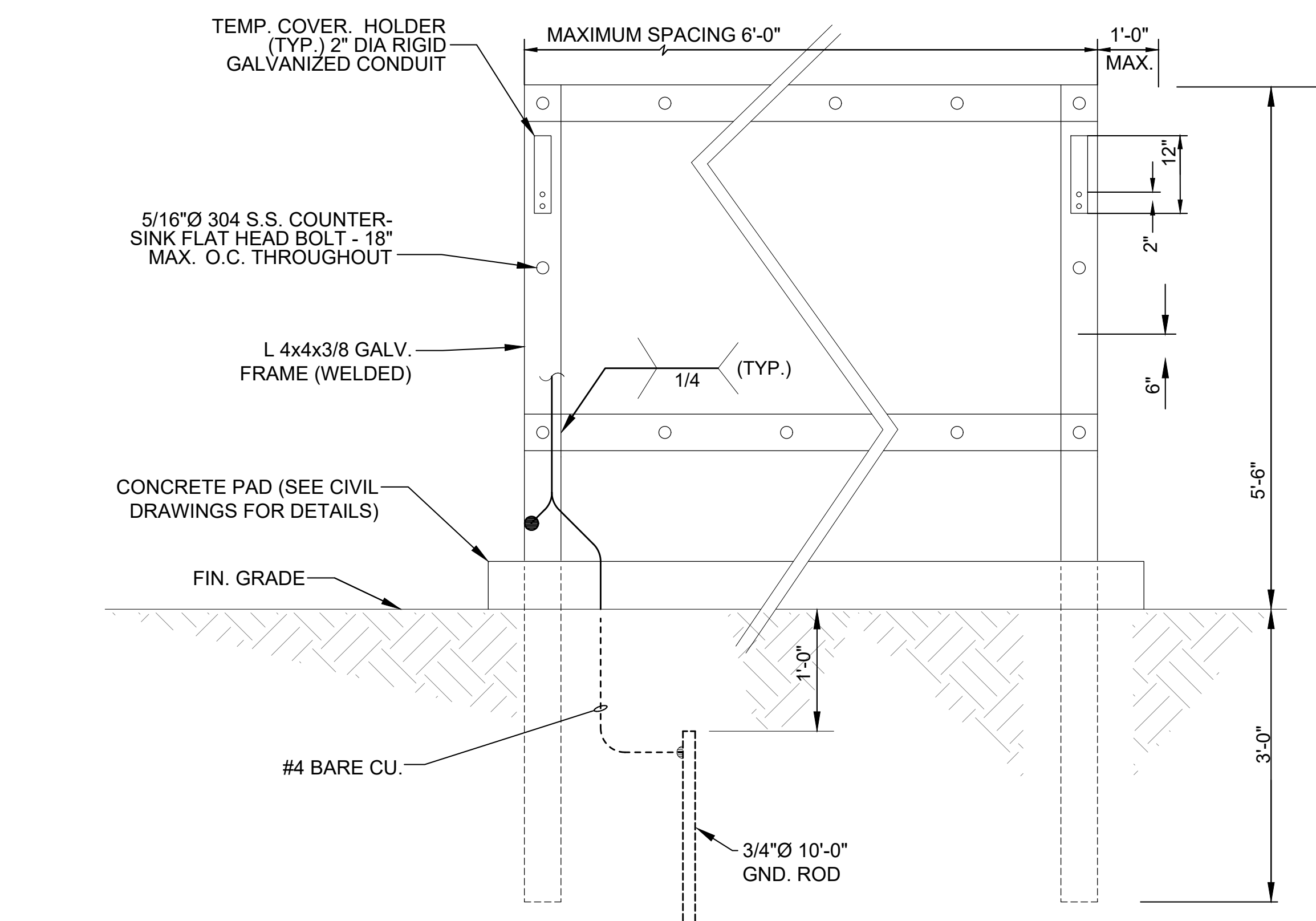


LOAD DESCRIPTION	WIRE SIZE	KVA LOAD			CKT NO.	BKR. TRIP	L1	L2	L3	BKR. TRIP	CKT NO.	KVA LOAD			LOAD DESCRIPTION	WIRE SIZE
		ØA	ØB	ØC								ØA	ØB	ØC		
CONTACTOR NO. C1	*	1.98			1	30				30	2	1.98				
	*		1.98		3	3P				3P	4		1.98			
	*			1.98	5	3P				3P	6			1.98		
CONTACTOR NO. C3	*	1.98			7	30				30	8	1.98				
	*		1.98		9	3P				3P	10		1.98			
	*			1.98	11	3P				3P	12			1.98		
CONTACTOR NO. C5	*	2.46			13	30				30	14	4.57				
	*		2.46		15	3P				3P	16		4.57			
	*			2.46	17	3P				3P	18			4.57		
CONTACTOR NO. C7	*	2.46			19	30				30	20	1.59				
	*		2.46		21	3P				3P	22		1.59			
	*			2.46	23	3P				3P	24			1.59		
CONTACTOR NO. C9	*	1.59			25	30				30	26	1.08				
	*		1.59		27	3P				3P	28		1.08			
	*			1.59	29	3P				3P	30			1.08		
CONTACTOR NO. C11	*	1.09			31	30				30	32	0.00				
	*		1.09		33	3P				3P	34		0.00			
	*			1.09	35	3P				3P	36			0.00		
					37					20	38	1.00				
					39					20	40		0.18			
					41					42						
SUBTOTAL VA:		11.57	11.57	11.57							12.20	11.38	11.20	SUBTOTAL VA		
VOLTAGE SOURCE: UTILITY/GENERATOR/ATS						TOTAL KVA ØA:		23.77								
VOLTAGE: 277/480		MAIN: 225				TOTAL KVA ØB:		22.95								
TOTAL CKTS: 42		AMPS: 225		PHASE: 3		TOTAL KVA ØC:		22.77								
TRIM: NEMA 3R SURFACE						TOTAL CONN. KVA:		69.49								
INTERRUPT RATING: 42,000 A.I.C. SYMMETRICAL						EST. DEMAND:		83.58								

NEW PANEL "MDP" CIRCUIT SCHEDULE

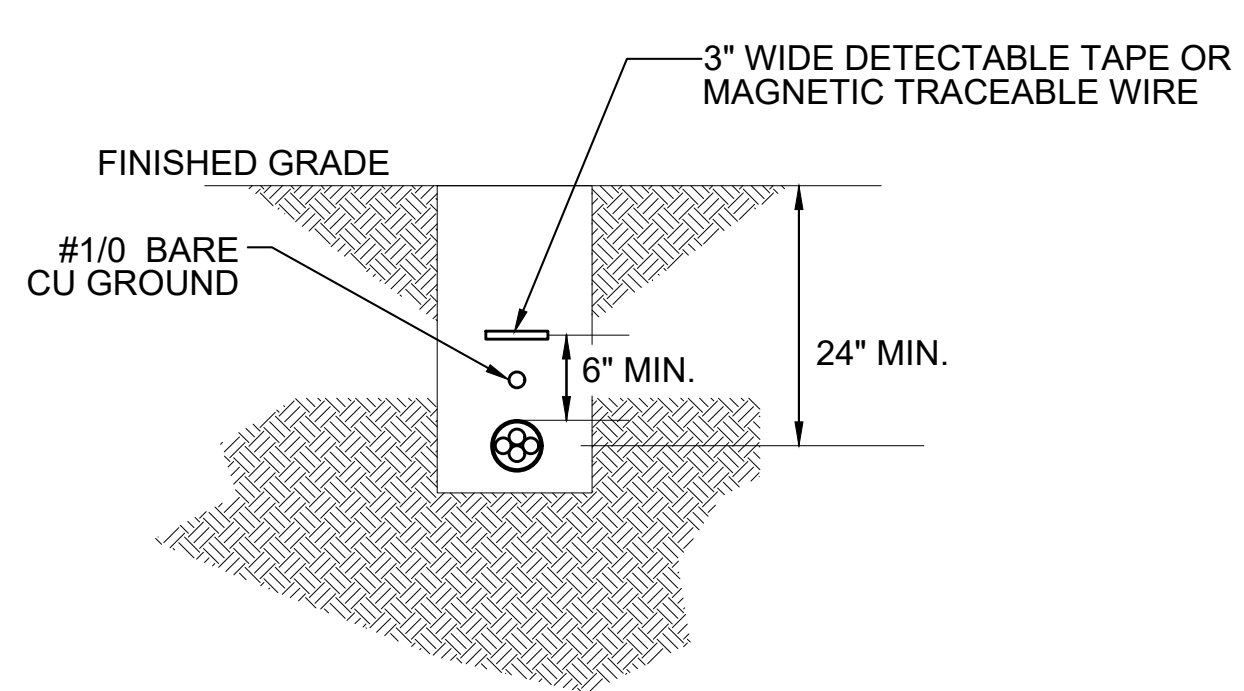
LOCATION: NEW LTG CONTROL EQ. RACK



TYPICAL EQUIPMENT MOUNTING RACK
NOT TO SCALE

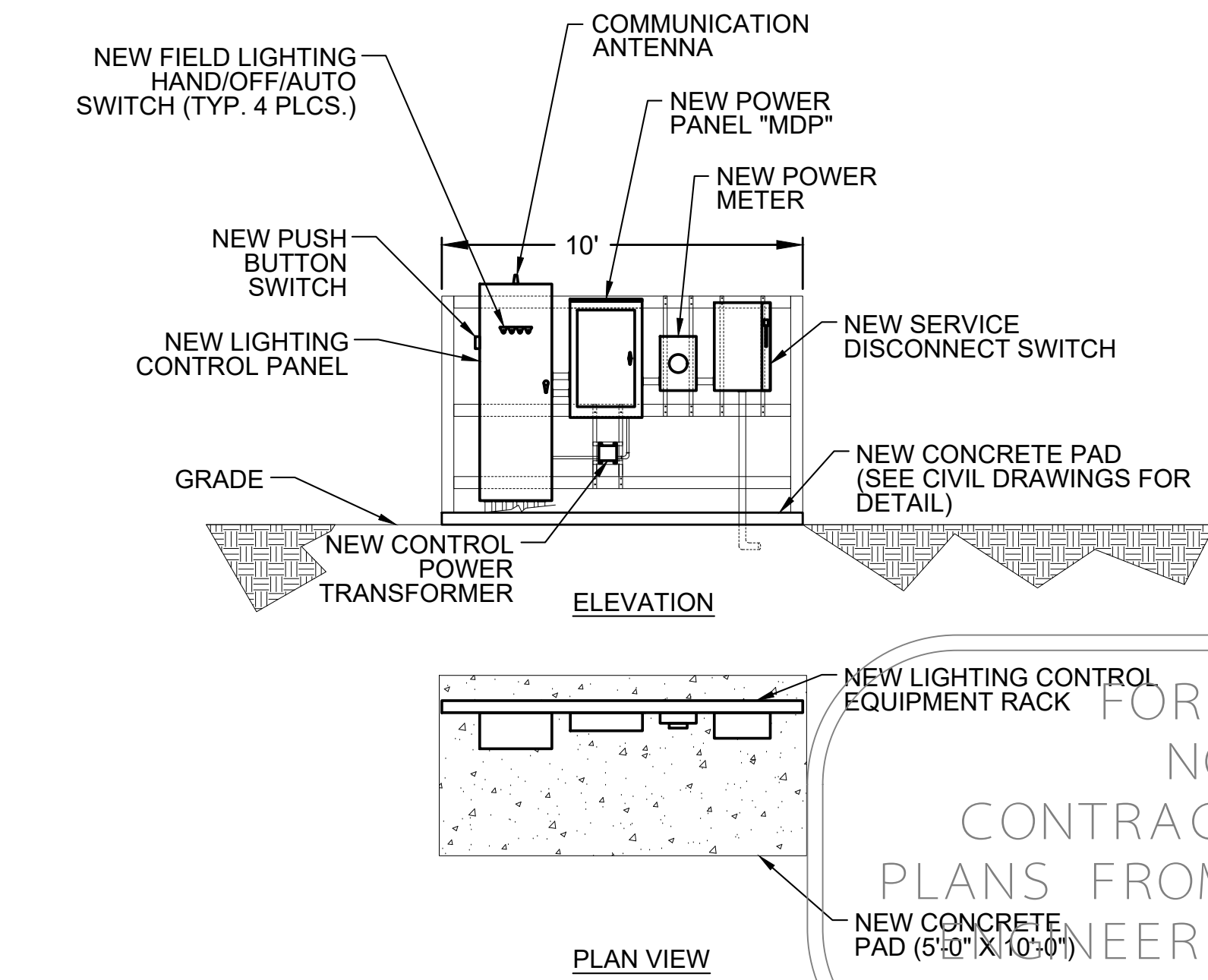
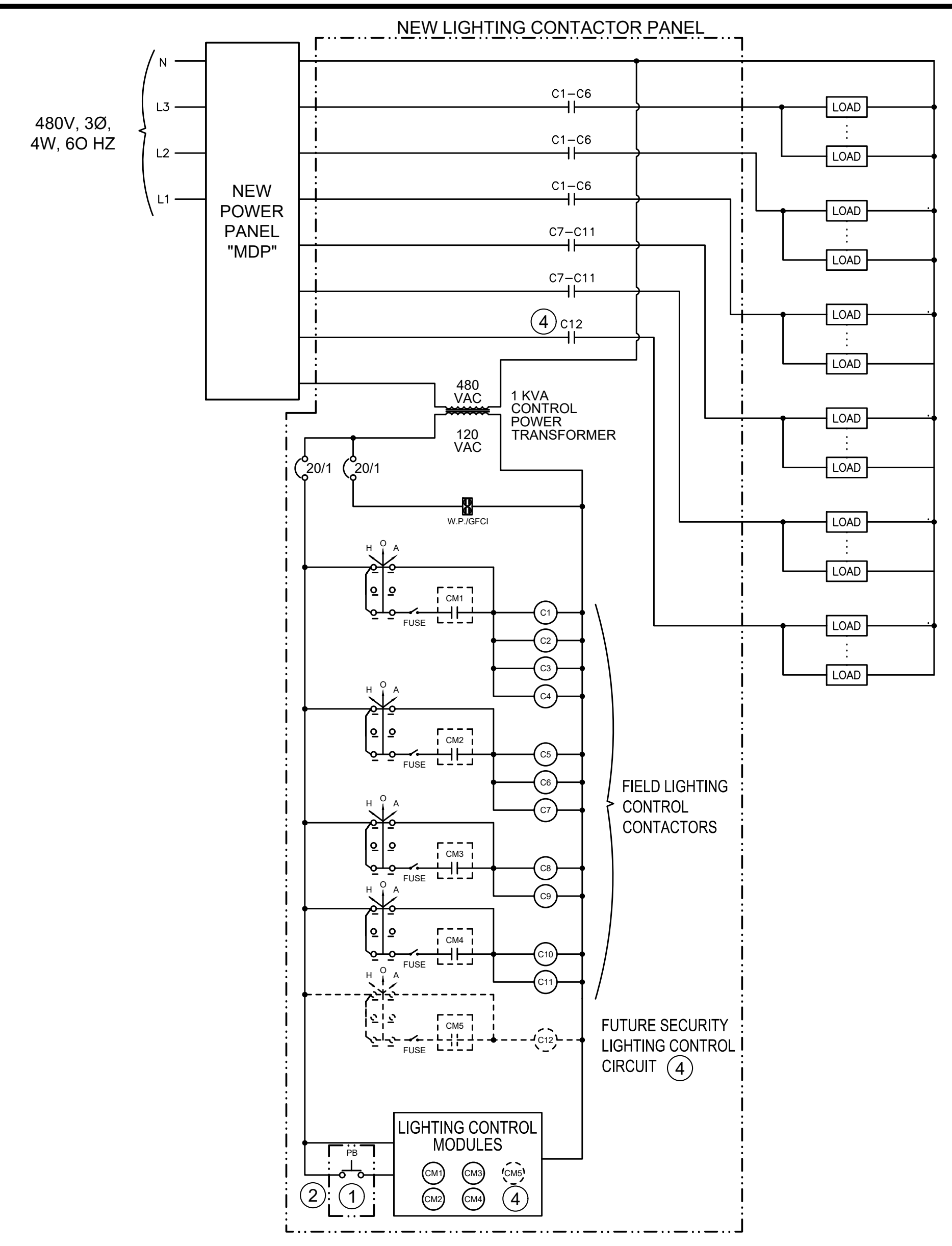
KEYNOTES:

- THE CONTRACTOR SHALL PROVIDE THE LABOR AND MATERIALS TO INSTALL THE NEW LIGHTING PUSHBUTTON ON THE SIDE OF LIGHTING CONTROL PANEL. THE PUSHBUTTON SHALL WEATHER TIGHT AND RATED FOR OPERATION IN WET LOCATIONS.
- THE PUSHBUTTON SHALL BE USED TO ALLOW THE FIELD LIGHTS TO BE TURNED ON AND OFF DURING PRESET HOURS OF THE DAY AS DETERMINED BY THE CLIENT.
- THE LIGHT POLE FOUNDATIONS SHALL BE INSTALLED IN ACCORDANCE WITH MUSCO LIGHTING POLE FOUNDATION REQUIREMENT. THE MUSCO LIGHTING CONTACT PERSON IS MR. TODD GAINES, 334-313-2176.
- SECURITY LIGHTING SHALL BE PROVIDED UNDER A SEPARATE CONTRACT. SPACE SHALL BE PROVIDED FOR THE INSTALLATION OF THE CONTROLS IN THE CONTROL PANEL.
- ALL POLE INSTALLATION SHALL MEET OR EXCEED THE WIND LOAD REQUIREMENTS OF THE LATEST REVISION OF THE INTERNATIONAL BUILDING CODE, LOCAL ORDINANCES AND AUTHORITY HAVING JURISDICTION (A.H.J.). THE POLE INSTALLATIONS SHALL MEET A MINIMUM WIND LOADING OF 116 MPH CONTINUOUS WIND AND 150 MPH WIND GUSTS.

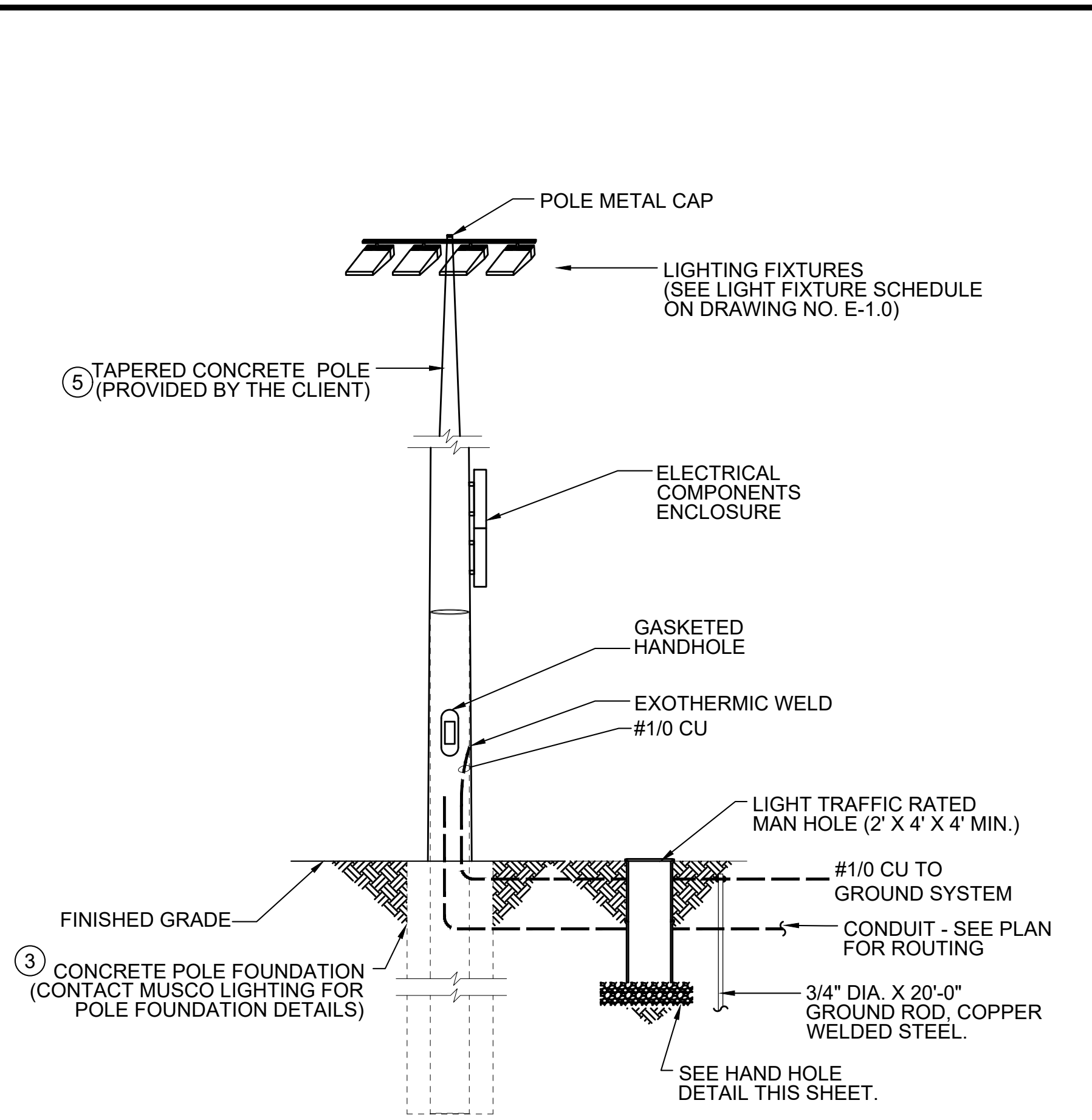


CONDUIT TRENCH DETAIL
NOTE TO SCALE

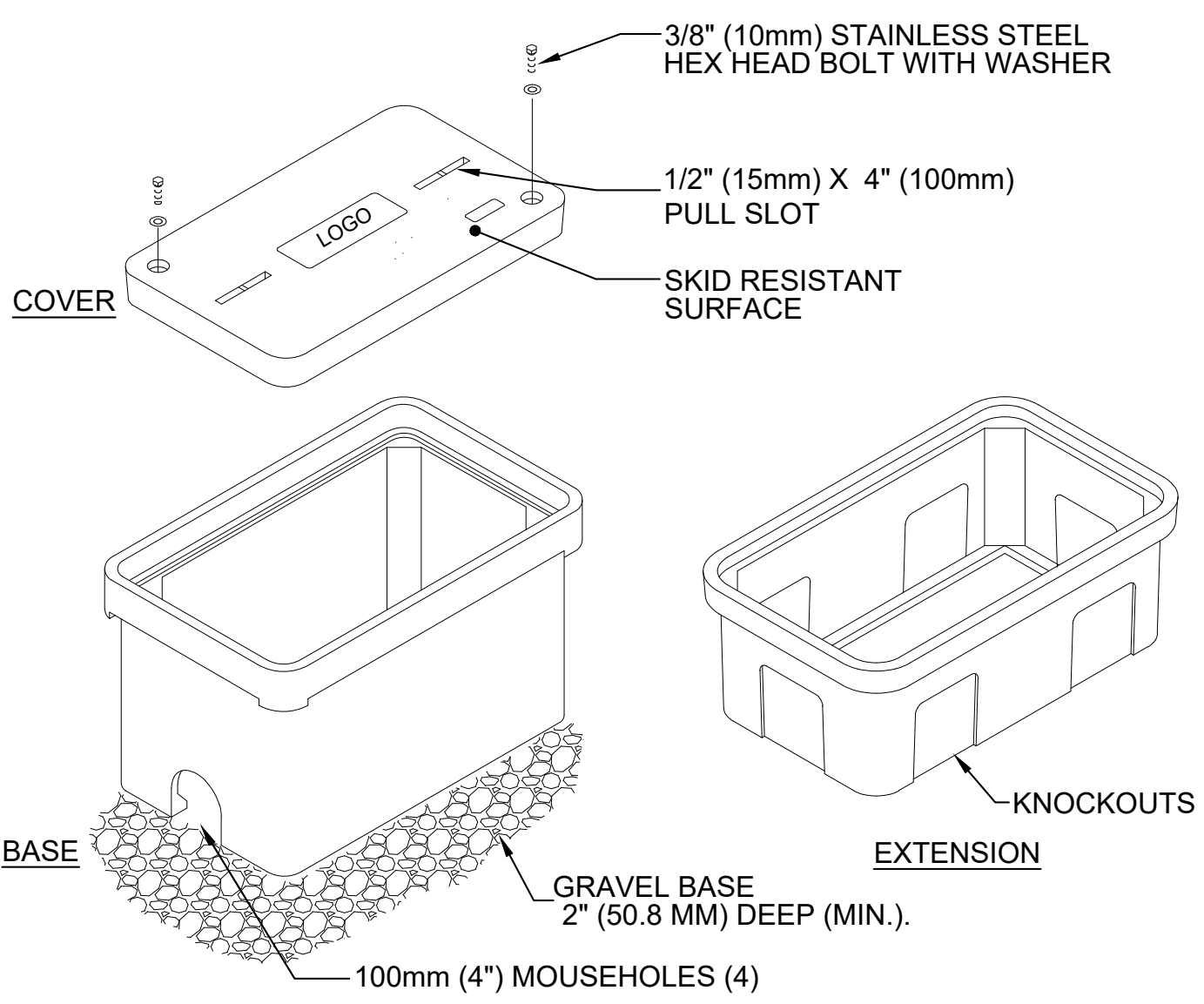
TYPICAL LIGHTING CONTROL PANEL DIAGRAM
NOT TO SCALE



NEW LIGHTING CONTROL EQUIPMENT RACK
NOTE TO SCALE



FIELD LIGHT POLE DETAIL
NOTE TO SCALE



TYPICAL HAND HOLE DETAIL
NOT TO SCALE

HAND HOLE NOTES:

- ALL HAND HOLES SHALL HAVE OPEN BOTTOMS AND SHALL BE INSTALLED ON A 2" (50.8 mm) BED OF CRUSHED GRAVEL EXTENDING A MINIMUM OF 3" (76.2 mm) OUTSIDE THE MANHOLE BASE.

FOR REFERENCE ONLY
NOT FOR BIDDING
CONTRACTORS MUST PURCHASE
PLANS FROM AND REGISTER WITH THE
NEVER TO BE ELIGIBLE TO BID



MOBILE COUNTY
205 GOVERNMENT ST
MOBILE, AL 36602

ALABAMA REGISTERED PROFESSIONAL ENGINEER
No. 12087
TODD GAINES

Driven Engineering, Inc.
8005 Morris Hill Road, Semmes, AL 36575
(251) 649-4011 Office
(251) 645-0971 Fax
www.driveneengineering.com

NEW LIGHTING AT
CREOLA MUNICIPAL PAK

DATE: 4/27/23 SCALE: AS SHOWN
PROJECT NUMBER: CCP-018-22
DRAWING NUMBER: E-3.0 TOTAL SHEETS: XX REVISION: A